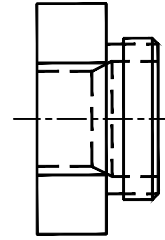
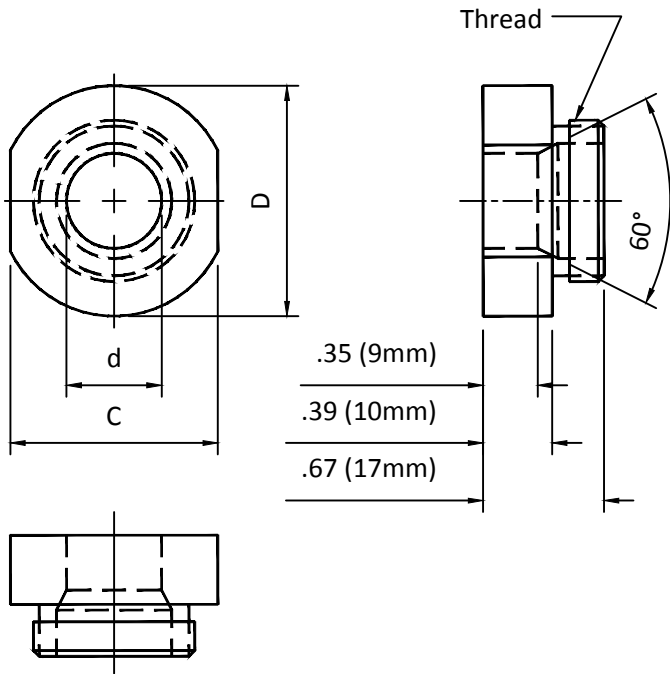




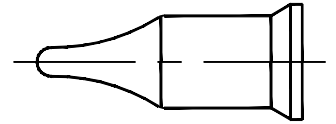
## TCN HEADS (METRIC THREADS)



The blocks shown below will work all three size of the TCN heads listed below. All are metric threads.



TCN Head



TDP Pin

Tipaloy has produced many special TCN heads and TDP pins for applications for customers. Special nose configurations and pin sizes with special TCN heads are available. If your company has a need for special configurations, contact us for more information and assistance.

Part Number	d Dia.	D Dia.	Wrench Flats - C	MM Thread 1.5P
TCN-M04	.200 (5mm)	1.00 (25mm)	7/8 (22mm)	18mm
TCN-M05	.240 (6mm)	1.00 (25mm)	7/8 (22mm)	18mm
TCN-M06	.279 (7mm)	1.00 (25mm)	7/8 (22mm)	18mm
TCN-M07	.319 (8mm)	1.00 (25mm)	7/8 (22mm)	18mm
TCN-M08	.358 (9mm)	1.00 (25mm)	7/8 (22mm)	18mm
TCN-M09	.358 (10mm)	1.00 (25mm)	7/8 (22mm)	18mm
TCN-M10	.398 (11mm)	1.25 (32mm)	1.0 (27mm)	22mm
TCN-M11	.476 (12mm)	1.00 (25mm)	1.0 (27mm)	22mm
TCN-M12	.515 (13mm)	1.00 (25mm)	1.0 (27mm)	22mm
TCN-M13	.555 (14mm)	1.00 (25mm)	1.0 (27mm)	22mm
TCN-M14	.594 (15mm)	1.00 (25mm)	7/8 (22mm)	26mm
TCN-M15	.630 (16mm)	1.00 (25mm)	7/8 (22mm)	26mm
TCN-M16	.673 (17mm)	1.00 (25mm)	7/8 (22mm)	26mm
TCN-M016.5	.654 (16.5mm)	1.00 (25mm)	7/8 (22mm)	26mm